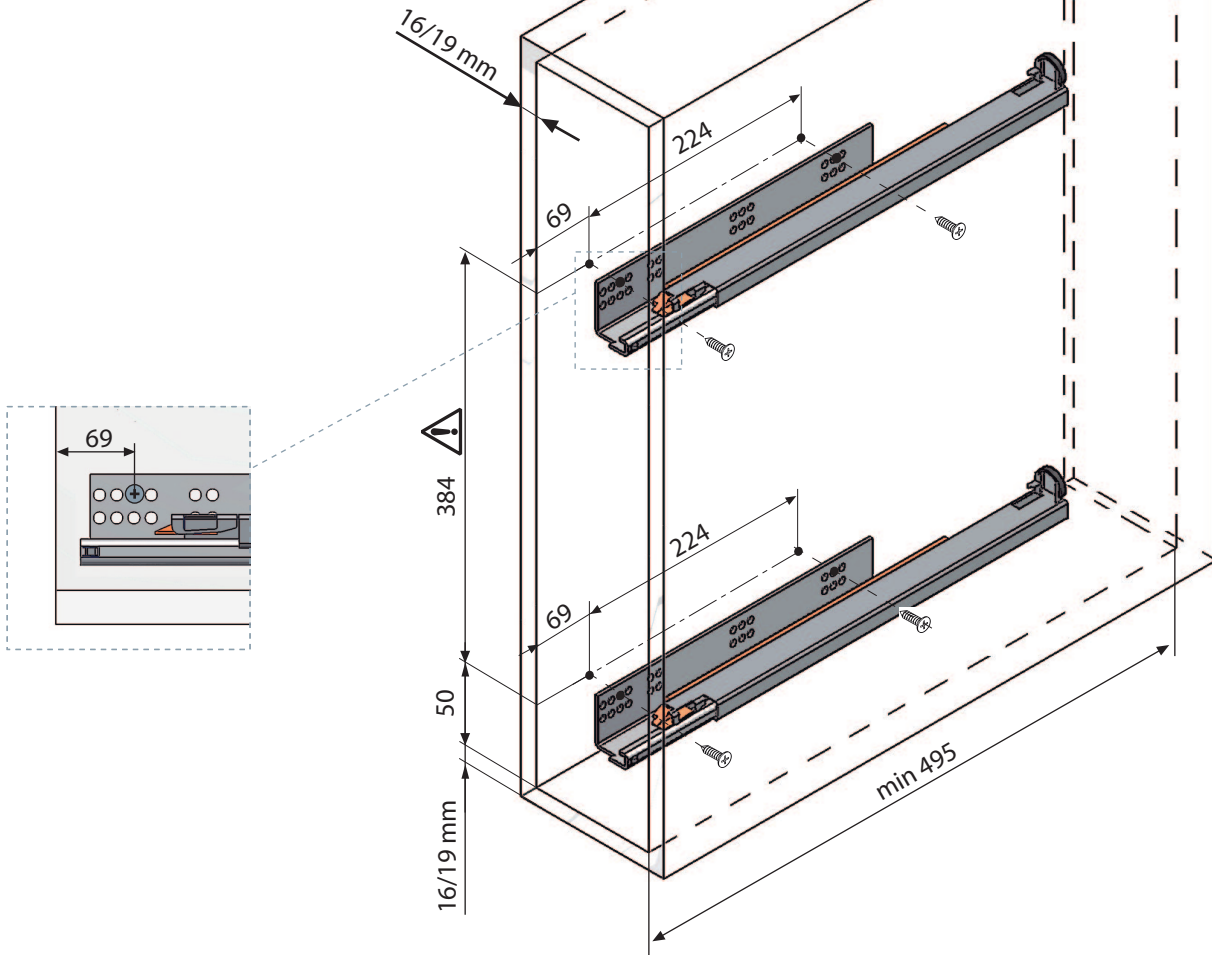
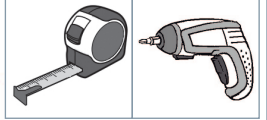
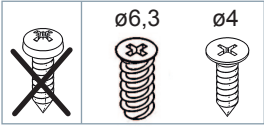
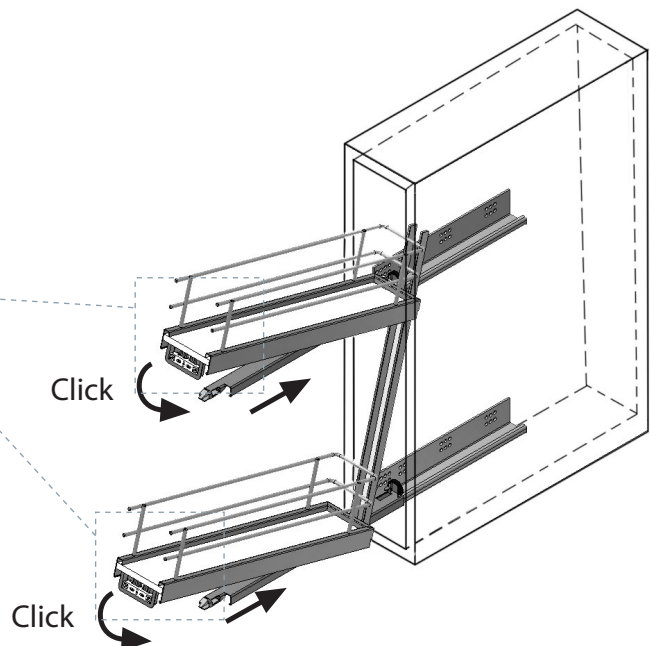
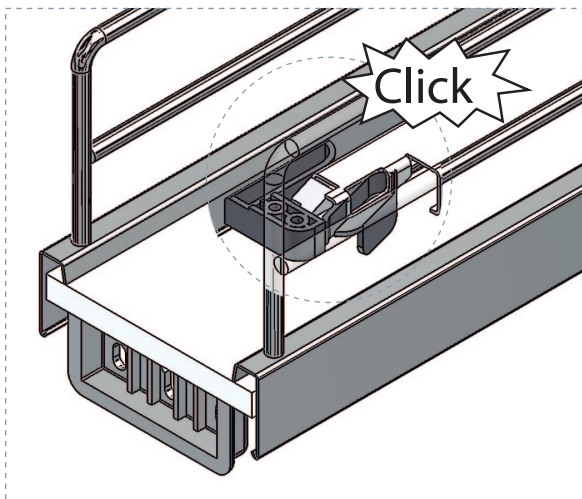


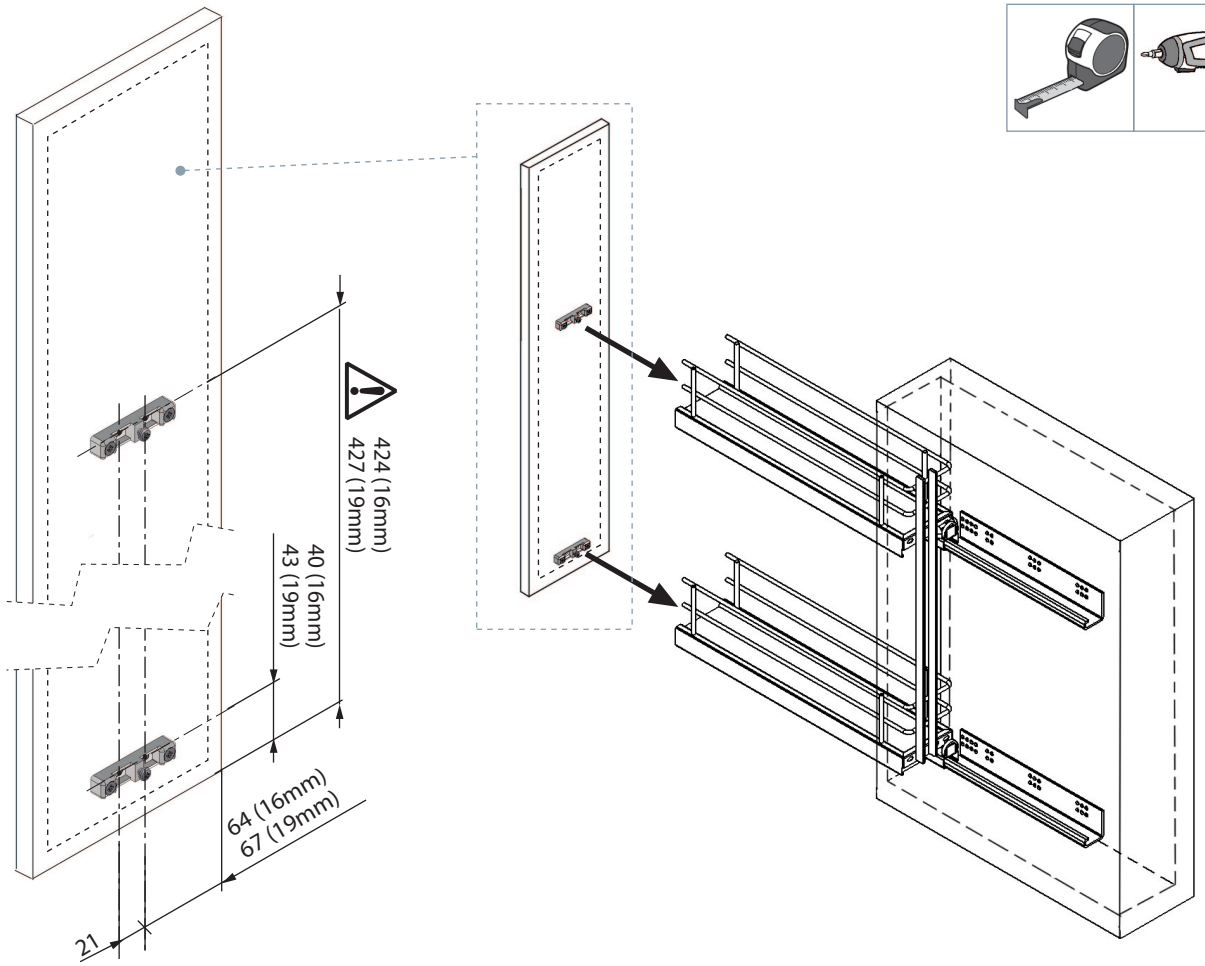
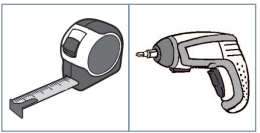
1



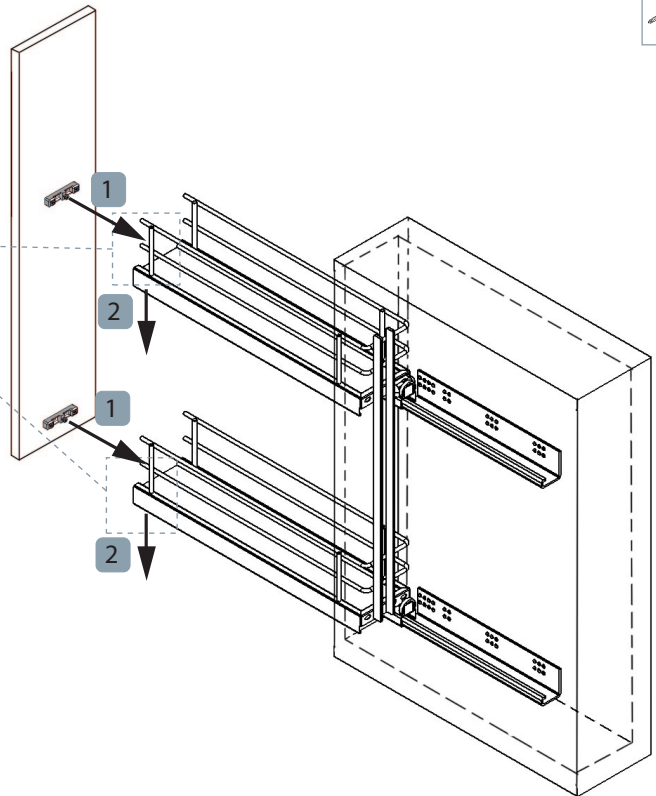
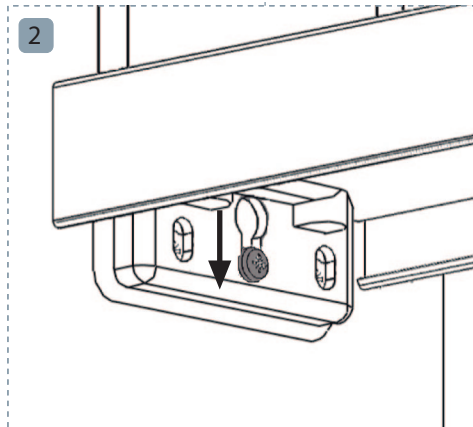
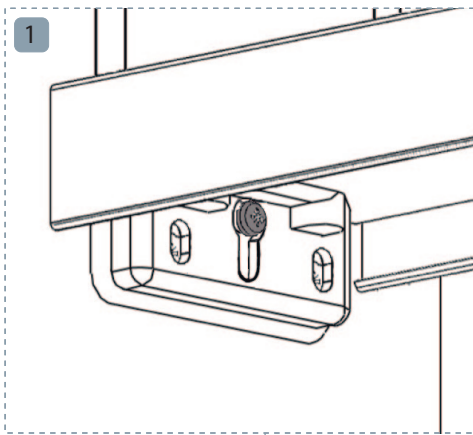
2



3

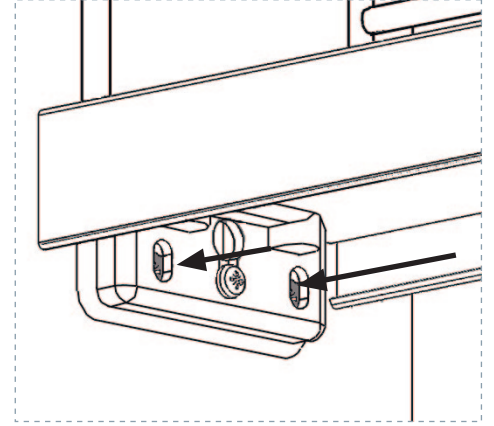
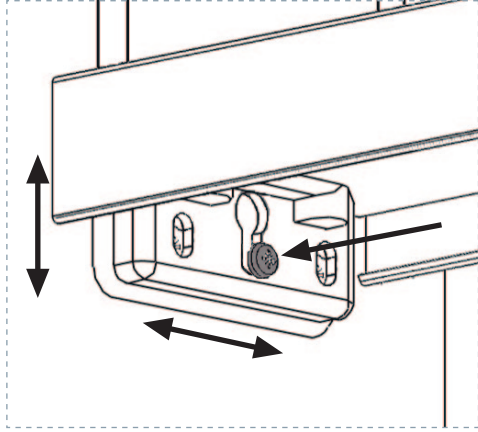
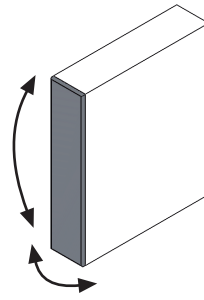
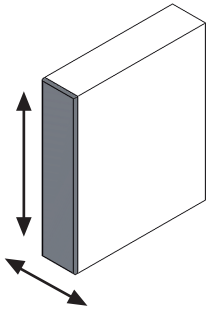
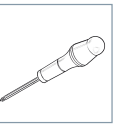


4

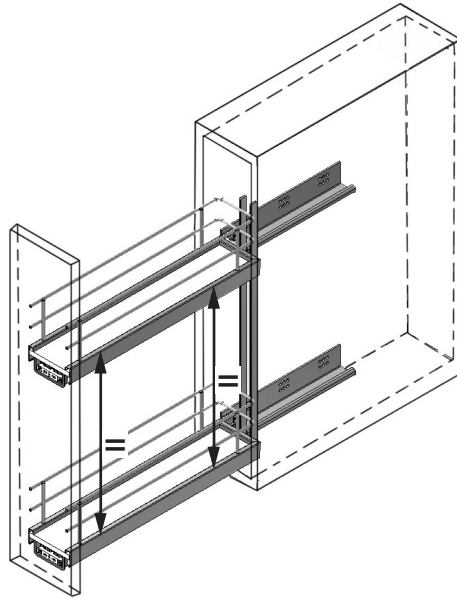
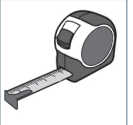


5

/ Front regulation



6



7

/ Dismount

